

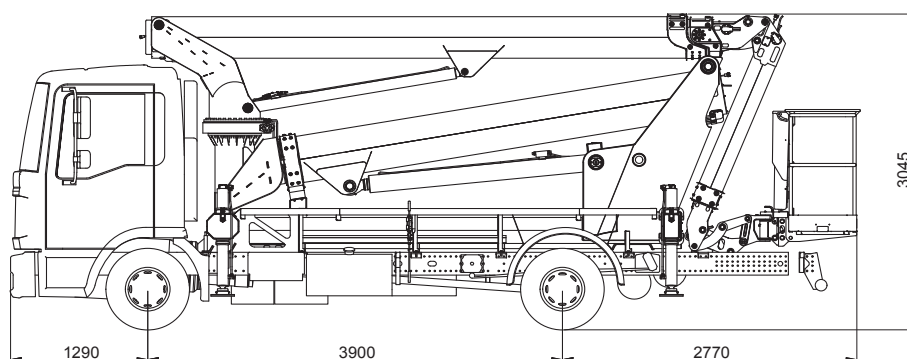
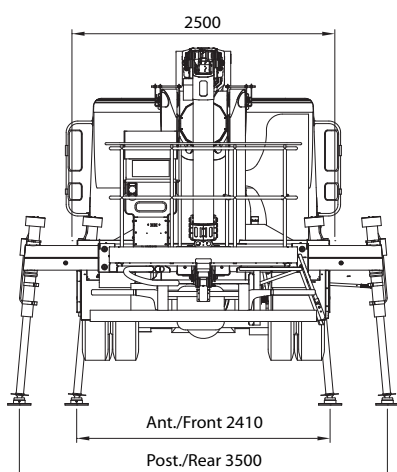
SPECIFICATION

CTE MP 32.19 MAN TGL 8.180 7.5T

TECHNICAL DATA

- Telescopic boom with 1 extension+telescopic boom with 2 extensions + telescopic jib
- $\pm 180^\circ$ turret rotation on bearing turntable on the top of the main boom
- Electrohydraulic proportional controls from basket and from ground
- Smooth simultaneous proportional controls with acceleration and deceleration ramps
- Engine start and stop controls from basket and ground
- Automatic engine rpm management
- Anti-slip aluminium flatbed decking
- Basket in aluminium 1800x700x1100 mm
- $\pm 90^\circ$ hydraulic basket rotation
- Hydraulically actioned basket levelling
- 4 hydraulic outriggers with ground pressure sensors: rear variable jacking outriggers and front straight narrow jacking outriggers
- Variable jacking system **S³ Smart Stability System**
- Home function
- **CAN BUS** electronic management system
- Ground control station
- Basket load cell
- Diagnostic display on board
- Basket control station equipped with working envelope related info
- Emergency electropump powered by vehicle's battery
- Hydraulic system operated by vehicle's PTO
- Buzzer indicating PTO engaged
- Hour meter
- 230 V AC in the basket
- EN 280:2015 CE certified
- Standard boom colours blue (RAL 5017) and white (RAL 9003)

DIMENSIONS



CTE S.p.A.
Headquarter

7 Via Caproni - Rovereto (TN) IT, 38068
Ph. +39 0464 48.50.50 - Fax +39 0464 48.50.99
info@ctelift.com - www.ctelift.com

Factory 5 Loc. Terramatta - Rivoli Veronese (VR) IT, 37010

CTE UK Ltd Enderby Leicestershire - UK

SPECIFICATION

CTE MP 32.19 MAN TGL 8.180 7.5T



32 m*



19 m*



300 kg



30 m

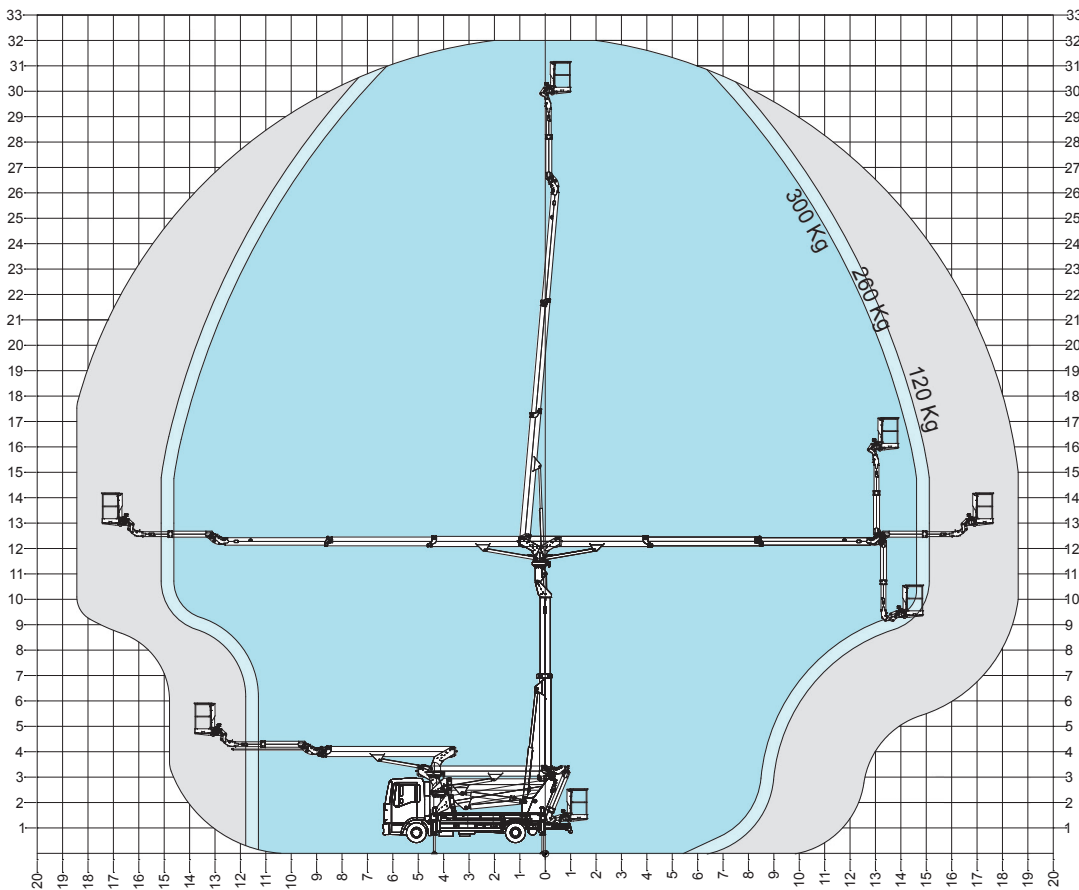


1800x700x1100 mm



GVW min 7,5 t

WORKING ENVELOPE



* outreach and height max values and repeatability can change within $\pm 3\%$ due to manufacturing variation and working condition.

Product specifications are subject to change without notice or obligation. Technical features and drawings in this brochure are for illustrative purposes only. _MP 32.19 - ed. 04/17



CTE S.p.A.
Headquarter
 7 Via Caproni - Rovereto (TN) IT, 38068
 Ph. +39 0464 48.50.50 - Fax +39 0464 48.50.99
 info@ctelift.com - www.ctelift.com
Factory 5 Loc. Terramatta - Rivoli Veronese (VR) IT, 37010
CTE UK Ltd Enderby Leicestershire - UK

