

## Features

- Lifting Height of up to 6.90 m
- Maximum capacity of 3,000 kg
- Clear View cab provides all round vision
- Audio-visual Load Stability indicator
- Mechanical Quick-switch coupler for efficient attachment changes
- Four-wheel steering - Front wheel, Co-ordinated and crab.
- Four wheel drive
- 45% gradeability.

## Performance

### Maximum Lift Capacity

3,000 kg

### Capacity at full height

2,600 kg

### Maximum Forward Reach

3.90 m

### Capacity at Maximum Forward Reach

1,350 kg

### Lifting Height

6.90 m

### Reach at Maximum Height

0.90 m

### Break-out force with standard bucket

55 kN

### Drawbar Pull (loaded)

5,000 kg

### Carriage Rotation

140°

## Standard Specifications

### Engine

Deutz 2012, 74.9kw @ 2200 rpm.

105L Fuel Tank

10 L Engine Oil

15 L Coolant

### Hydraulic System

Gear Pump 94 l/min

### Transmission

Hydrostatic

### Drive

4 x 4

### Steering

4 WS/Front Steer/Crab Steer

### Brakes

Wet multi disc

### Tyres

405/70-24

## Accessories & Options

- Air conditioning
- Speedometer
- Radio
- 12V outlet
- Worklights
- Hydraulic Quick-switch
- Rear hydraulic outlet
- Worklights on boom
- 405/70-24 MPT04 tyres
- 17.5-24 tyres
- Connector for trailer lights
- Rotating beacon
- Tow Hitch

## Attachments

Side shift carriage

Clamp for round bales

Forks for straw bales, two round tines

Truss boom

Fork mounted lift hook

Multi-purpose bucket

Light material bucket

Digging bucket

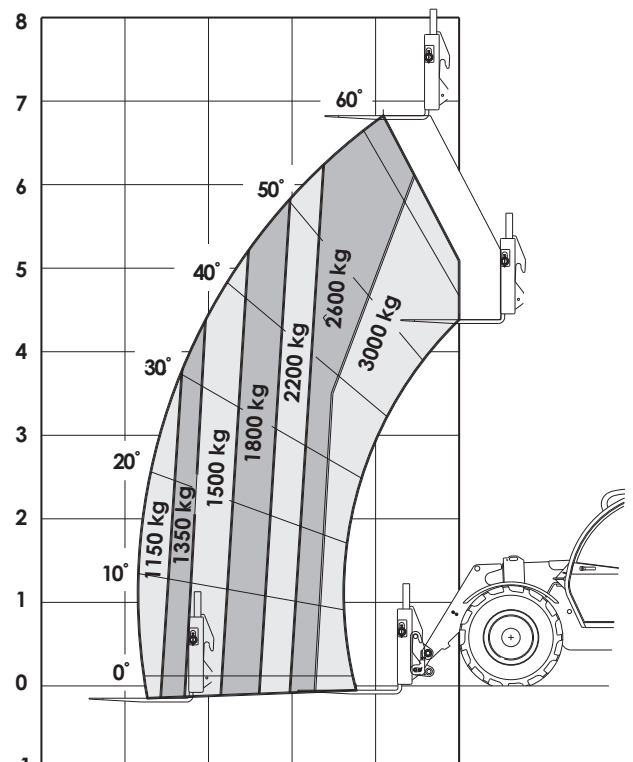
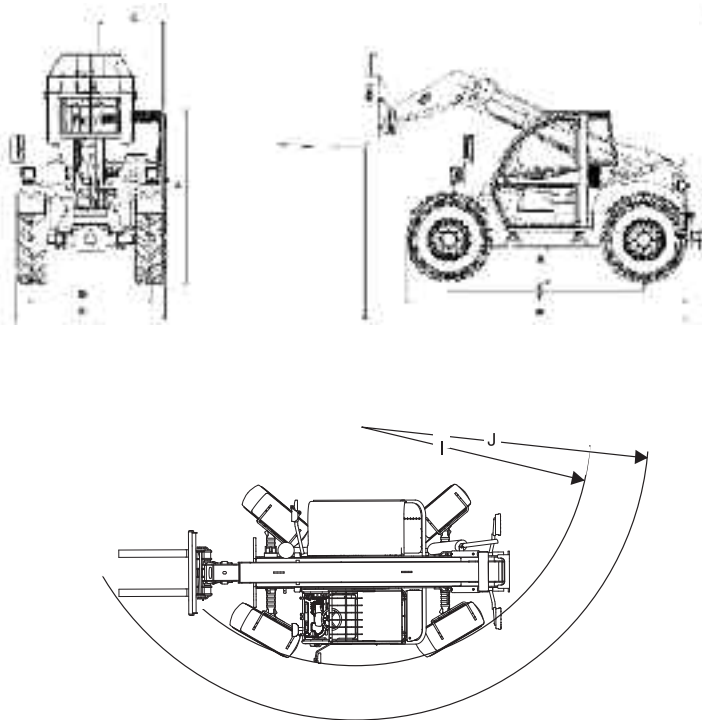
4-in-1 bucket

Concrete ladle



## Dimensions

A. Overall Height .....	2.35 m
B. Overall Width .....	2.30 m
C. Width of Cab .....	0.89 m
D. Track width .....	1.89 m
E. Wheelbase .....	2.90 m
F. Length at front wheels .....	4.14 m
G. Length at fork-holder plate .....	4.92 m
H. Ground Clearance .....	0.46 m
I. Turning radius over tyres .....	4.40 m
J. Turning radius at fork .....	5.40 m
Gross Vehicle Weight (closed cab CE version) .....	7,500 kg



JLG is continually researching and developing products and reserves the right to make modifications without prior notice. All data in this document is indicative. Certain options or country standards will increase weight. Specifications may change to meet country standards or with the addition of optional equipment.

**JLG Industries Inc.**  
 Polaris Avenue 63  
 2132 JH Hoofddorp  
 The Netherlands  
 Tel: +31 (0)23 565 5665  
 Fax: +31 (0)23 557 2493  
 e-mail address: europe@jlg.com  
[www.jlgeurope.com](http://www.jlgeurope.com)

Printed in UK  
 FORM No.: DS005 -0408-200  
 PART NO.: DS005-ENGLISH

