

SPECIFICATION

STAGE V

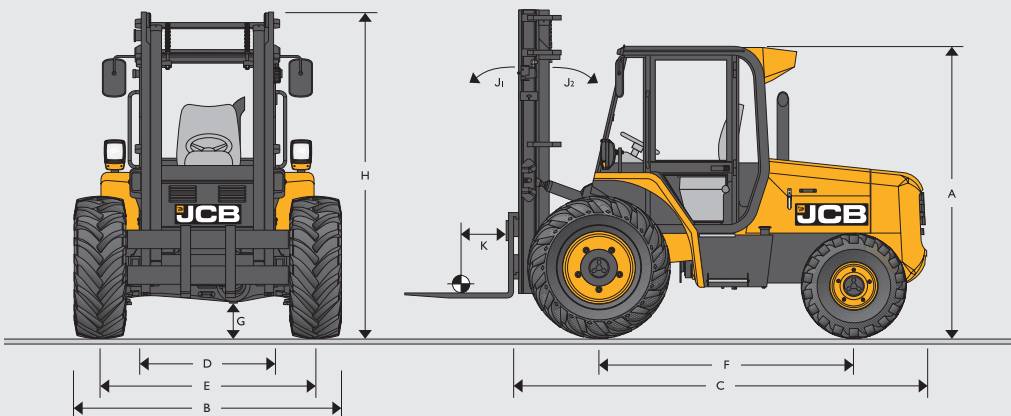


ROUGH TERRAIN FORK LIFT | 926 / 930 / 940

Gross power: 55kW (74hp) | Lift capacity: 2.6 to 4 tonnes | Lift height: 3.6 to 6.7m



STATIC DIMENSIONS



		926	930	940	
A	Overall cab height	m	2.56	2.56	2.56
B	Overall width (over tyres)	m	2.20	2.20	2.20
C	Overall length to front carriage	m	3.56	3.56	3.64
D	Inside width of cab	m	1.10	1.10	1.10
E	Front track	m	1.80	1.80	1.80
F	Wheel base	m	2.13	2.13	2.21
G	Ground clearance	m	0.30	0.30	0.30
H	Mast closed height				
	3.6m mast	m	2.80	2.80	2.80
	4.5m mast	m	2.49	2.49	2.49
	5.5m mast	m	2.80	2.80	2.80
	Mast open height				
	3.6m mast	m	4.63	4.63	4.63
	4.5m mast	m	5.46	5.46	5.46
	5.5m mast	m	6.44	6.44	6.44
J1	Mast tilt forwards	degree	18°	18°	10°
J2	Mast tilt backwards	degree	10°	10°	10°
K	Load centre	m	0.50	0.50	0.50

The above data is based on the following specification: Standard Fork Size: Class IIIA 1067 x 100 x 50mm

WEIGHT

		926	930	940
Overall weight	kg	5780	6210	7370

ENGINE

		926/930/940
Model		JCB 430 Stage V DIESELMAX
Displacement	litres	3.0
Fuel		Diesel
Cooling		Liquid
Bore	mm	92
Stroke	mm	112
Gross power – ISO 14396 @2000 rpm	kW (hp)	55.0 (74)
Gross torque – ISO 14396 @1300 rpm	Nm	440
Emission certification		Stage V
Engine oil service intervals		500 hours

TRANSMISSION

		926-4/930-4/940-4
Manufacturer		JCB
Type		Syncroshuttle
Torque converter		279mm (11")
Torque converter ratio		2.20:1
Gears forward/reverse		4/4
Gear selection		Manual
Shuttle control - F/R		Power shuttle
Travel speeds		kph (mph)
Gear 1		5.3 (3.2)
Gear 2		8.6 (5.3)
Gear 3		16.2 (10.1)
Gear 4 (Ex. Germany)		29.7 (18.4)

TURN RADIUS AND GROUND LINE ANGLES

		926	930	940
Outside turn radius 4WD	m	4.35	4.35	4.92
Departure angle		53°	53°	53°
Obstruction angle		51°	51°	51°

The above data is based on the following specification: Standard fork size 1067 x 100 x 50mm

TYRES

		926	930	940
Standard Tyres		16.5/85-24	16.5/85-24	16.5/85-24
Front		Traction	Traction	Traction
Rear 4WD		12.5/80-18	10.5-18	12.5/80-18
		Traction	Traction	Traction

ELECTRICAL SYSTEM

		926/930/940
System voltage	Volt	12
Alternator output	Amp hour	110
Battery capacity	Amp hour	120

Full road lighting, direction indicators, hazard warning reverse and fog light.

SERVICE CAPACITIES

		926/930/940
Fuel tank	litres	88
Hydraulic tank	litres	60
Engine oil sump	litres	12
Transmission oil system	litres	18
Engine coolant system	litres	17

BRAKES Service brakes: Hydraulic Servo assisted, self adjusting brakes on all models. Parking brake: Hand operated disc brake on output of gearbox.

HYDRAULICS Single gear pump with steer priority valve, suction strainer and filter. Operating system pressure: 230 bar, flow 76 ltr/min. Pipe burst protection on mast hydraulics.

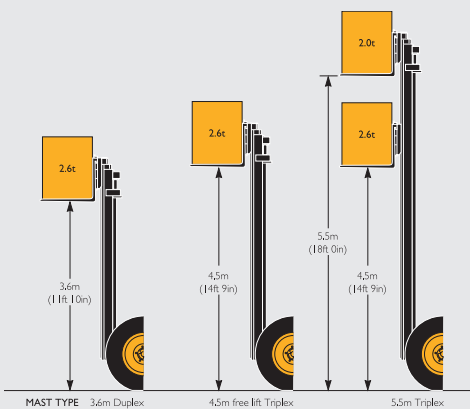
MASTS AND CARRIAGES Clearview masts manufactured from channel and I-section steel. Heavy-duty mast chains. Guide roller bearings are sealed for life. Industrial class III carriage, or bar carriage available on various masts. Adjustable right hand tilt ram.

AUTOMATIC DERATION Deration valve: The 5.5m mast is fitted with a deration valve which automatically reduces lift capacity above 4.5m for safety and stability.

OPERATOR MODULE Safety quiet cab or canopy, FOPS standard (falling object protective structure) to FEM Section IV and ANSI B56.6 – 1978. Cab: Resiliently mounted, two door access, level floor with mat, safety glass all round with laminated roof window, Fitments include: Suspension velour/vinyl seat, rear view mirror and 3 speed heater/demister. Front/Rear screen wiper and washer, horn. Handbook. Instruments for hourmeter battery charge. Audible/Visual warning system for alternator charge, coolant temperature, engine oil pressure, blocked air filter, transmission oil pressure and temperature. Warning lights for: main beam, hazard warning, park brake on, direction indicators. Hydraulic control levers, gear lever, park brake, forward/reverse lever, 4WD disconnect, throttle, brake, and transmission disconnect button.

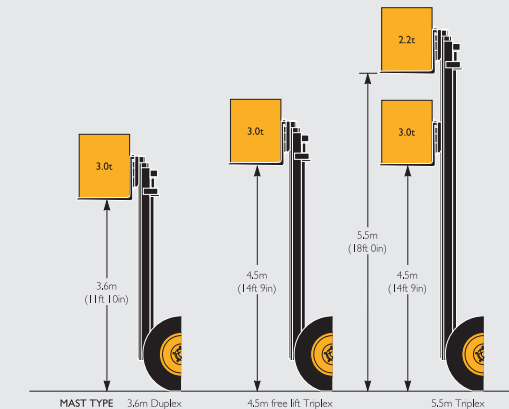
OPTIONAL EQUIPMENT Auxiliary carriage services via hose reel for powered attachments. Wheel and tyres sets. Air suspension seat. Roof screen wash/wipe. Flashing amber and green roof beacons. Fire extinguisher. Cab exterior mirrors. Front screen guard. Optional rear fenders. Reversing lights. Engine fan guard kit. Front and rear cab lights, with LED option. Immobiliser. White noise reverse alarm.

926 CAPABILITIES



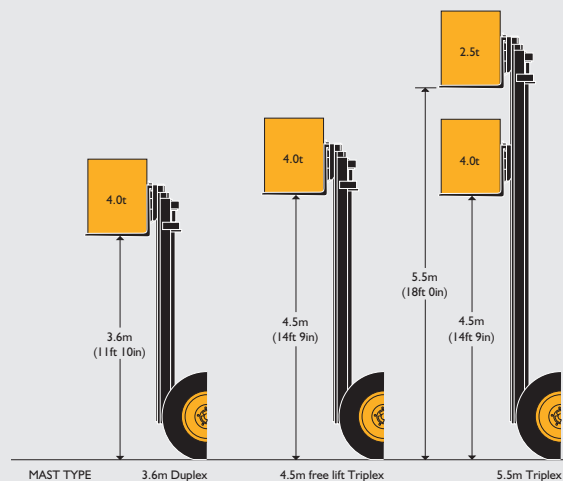
Available with Industrial & Bar Carriages.

930 CAPABILITIES



Available with Industrial & Bar Carriages.

940 CAPABILITIES



Available with Bar Carriages.

The above data is based on the following specification: Standard Fork Size: Class IIIA 1067 x 100 x 50 mm.



ONE COMPANY, OVER 300 MACHINES.

Your nearest JCB dealer

Rough Terrain Fork Lift | 926 / 930 / 940

Gross power: 55kW (74hp) | Lift capacity: 2.6 to 4 tonnes | Lift height: 3.6 to 6.7m

JCB Sales Limited, Rokeceter, Staffordshire, United Kingdom ST14 5JP.

Tel: +44 (0)1889 590312 Email: salesinfo@jcb.com

Download the very latest information on this product range at: www.jcb.com

©2021 JCB Sales. All rights reserved. No part of this publication may be reproduced, stored in a retrieval system, or transmitted in any form or by any other means, electronic, mechanical, photocopying or otherwise, without prior permission from JCB Sales. All references in this publication to operating weights, sizes, capacities and other performance measurements are provided for guidance only and may vary dependant upon the exact specification of machine. They should not therefore be relied upon in relation to suitability for a particular application. Guidance and advice should always be sought from your JCB Dealer. JCB reserves the right to change specifications without notice. Illustrations and specifications shown may include optional equipment and accessories. The JCB logo is a registered trademark of J C Bamford Excavators Ltd.

29671 en-GB 11/21 Issue 1

