



Machines

AV2-2 Tandem Vibrating Rollers 2.4 – 4 t

www.ammann-group.com

Smart Concept of the AV2-2 Vibrating Rollers

The AV2-2 Series of Tandem Vibrating Rollers are universal rollers designed for the use at medium construction sites. The AV2-2 Series are very efficient and effective machines when in use on sublayer as well as on asphalt compaction.





Road Lighting



Sliding seat



Best access to the engine and service point



Life time lubricated central articulation joint

Powerful

Optimum compaction results thanks to:

- high-torque, water-cooled three-cylinder Yanmar diesel engine
- 2 working speeds
- 2 frequencies with 2 centrifugal forces
- Single or double vibration with double traction
- large drum diameter
- balanced weight front and rear
- 2 large corrosion free water tanks
- multiple water filtration
- 2 scrapers per drum

Easy to operate

High comfort of operation due to:

- easy-to-operate instrument panel
- drums can be in line or offset by 40 mm
- tight turning radius
- compact dimensions
- smooth starting and reversing of the machine
- rubber mounted operator's platform

Easy to maintain

Minimum maintenance required:

- all bearings are lubricated for life time
- teflon coated central articulation joint
- engine hood can be completely opened
- direct access to the maintenance points situated at one side
- outside drain plugs for rapid change of machine fluids
- water filters and nozzles are easily accessible

Safe

High security with the AV/2 Vibrating Rollers:

- CE-Package: Folding ROPS, emergency stop, comfort seat with security belt and seat contact switch
- ergonomic instrument panel
- unobstructed view to the drums

Vandal protection of the machine with locks on:

- instrument panel
- engine hood
- fuel tank
- water tanks

Suitable

The AV2-2 Series is based on a modular concept allowing

- the customisation of the machine to specific applications of the user
- optimisation of spare parts management due to wide compatibility of the parts between different AV2-2 Models



Multiple water filtration for sprinkler system



Different Versions – One Concept

The AV2-2 Vibration Rollers can be delivered in different versions, as Tandem or Combination Rollers with a drum width of 100, 120 or 130 cm



Dashboard



Lockable instrument panel

Tandem-Version

The basic machine of the AV2-2 Series includes:

- Double traction
- Pressurised sprinkler system with multiple filtration
- 2 large corrosion free water tanks (80 l +120 l)
- 2 working frequencies with 2 centrifugal forces
- drums can be in line or offset by 40 mm
- 2 scrapers for each drum
- 4 point lifting hooks for easy transportation
- Hours meter and diesel fuel gauge
- Ammann Standard dash board and emergency stop switch

The rollers can be equipped with a wide range of options.

Combination Model

The vibration roller are also available as a combination roller AV 23-2K/26-2K/32-2K/40-2K. Together with both water tanks the combination model has an in-built anti-adhesive tank with direct pressurised sprinkler system to the tyres. The sprinkling out of the anti-adhesive can be turned on via a separate hand switch.

Full-flush Model

The Tandem Vibrating Rollers AV 23-2/26-2 and AV 23-2K/26-2K are the only machines in their class available as full-flush models with double drive and double vibration. This option enables the drum to compact completely up against a wall. There is no more additional tuning work needed with smaller compaction equipment.



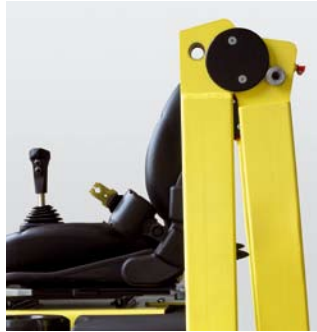
The Vibrating Rollers AV23-2/26-2 and AV23-2K/26-2K are also available as fullflush models



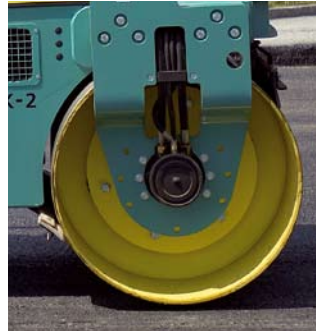
Technical data and optionals

| | Masseinheit | AV 23-2 | AV 23-2 K | AV 26-2 | AV 26-2 K | AV 32-2 | AV 32-2 K | AV 33-2 | AV 40-2 | AV 40-2 K |
|------------------------------------|-------------|--------------------------------|-------------|-------------|-------------|-------------|-------------|-------------|-------------|-------------|
| Weight | | | | | | | | | | |
| Operating weight CECE (full-flush) | kg | 2500 (2700) | 2300 (2400) | 2800 (2900) | 2500 (2550) | 3100 | 3100 | 3500 | 3900 | 3600 |
| Static linear load (full-flush) | kg/cm | 12.5 (12.8) | 12.5 (12.8) | 11.7 (12.0) | 10.4 (10.6) | 12.9 | 12.9 | 13.5 | 15.0 | 15.0 |
| Wheel load | kg | - | 262 | - | 275 | - | 312 | - | - | 412 |
| French classification | | PV3 | PV3 | PV3 | PV3 | PV3 | PV3 | PV3 | PV4 | PV4 |
| Drums (Wheels) | | | | | | | | | | |
| Width (full-flush) | mm | 1000 (1050) | 1000 (1050) | 1200 (1250) | 1200 (1250) | 1200 | 1200 | 1300 | 1300 | 1300 |
| Diameter | mm | 740 | 740 | 740 | 740 | 740 | 740 | 740 | 740 | 740 |
| Thickness | mm | 13 | 13 | 13 | 13 | 13 | 13 | 13 | 13 | 13 |
| Offset (full-flush) | mm | 40 (60) | 0 (20) | 40 (35) | 0 | 40 | 0 | 40 | 40 | 0 |
| Number of wheels | | - | 4 | - | 4 | - | 4 | - | - | 4 |
| Tire size | | - | 205/60R15 | - | 205/60R15 | - | 205/60R15 | - | - | 205/60R15 |
| Tire-axle width | mm | - | 970 | - | 1170 | - | 1170 | - | - | 1170 |
| Rolling width max. (full-flush) | mm | 1040 (1100) | 1000 | 1240 (1300) | 1200 | 1240 | 1200 | 1340 | 1340 | 1300 |
| Drive | | | | | | | | | | |
| Engine and type | | YANMAR 3TNV88 EuroMot3A / EPA2 | | | | | | | | |
| 1. working speed: 2050 rpm | | | | | | | | | | |
| Power output DIN 6270 B | kW / HP | 19.8 / 27.0 | 19.8 / 27.0 | 19.8 / 27.0 | 19.8 / 27.0 | 19.8 / 27.0 | 19.8 / 27.0 | 19.8 / 27.0 | 19.8 / 27.0 | 19.8 / 27.0 |
| Travel speed | km/h | 0 - 7 | 0 - 7 | 0 - 7 | 0 - 7 | 0 - 7 | 0 - 7 | 0 - 7 | 0 - 7 | 0 - 7 |
| Gradeability with / without vibr. | % | 30 / 40 | 30 / 40 | 30 / 40 | 30 / 40 | 30 / 40 | 30 / 40 | 20 / 30 | 20 / 30 | 20 / 30 |
| 2. working speed: 2400 rpm | | | | | | | | | | |
| Power output DIN 6270 B | kW / HP | 23.2 / 30.6 | 23.2 / 30.6 | 23.2 / 30.6 | 23.2 / 30.6 | 23.2 / 30.6 | 23.2 / 30.6 | 23.2 / 30.6 | 23.2 / 30.6 | 23.2 / 30.6 |
| Travel speed | km/h | 0 - 8 | 0 - 8 | 0 - 8 | 0 - 8 | 0 - 8 | 0 - 8 | 0 - 8 | 0 - 8 | 0 - 8 |
| Gradeability with / without vibr. | % | 30 / 40 | 30 / 40 | 30 / 40 | 30 / 40 | 30 / 40 | 30 / 40 | 25 / 35 | 25 / 35 | 25 / 35 |
| Steering | | | | | | | | | | |
| Turning radius, outside / inside | mm | 3350 / 2350 | 3350 / 2350 | 3450 / 2250 | 3450 / 2250 | 3450 / 2250 | 3450 / 2250 | 3500 / 2200 | 3500 / 2200 | 3500 / 2200 |
| Steering / Oscillating angle | +/- ° | 32 / 8 | 32 / 8 | 32 / 8 | 32 / 8 | 32 / 8 | 32 / 8 | 32 / 8 | 32 / 8 | 32 / 8 |
| Vibration | | | | | | | | | | |
| Amplitude | | | | | | | | | | |
| | mm | 0.4 | 0.4 | 0.4 | 0.4 | 0.4 | 0.4 | 0.35 | 0.35 | 0.35 |
| 1. working speed: 2050 rpm | | | | | | | | | | |
| Frequency | Hz | 59 | 59 | 59 | 59 | 59 | 59 | 59 | 59 | 59 |
| Centrifugal force per drum | kN | 34 | 34 | 34 | 38 | 38 | 38 | 36 | 36 | 36 |
| 2. Arbeitsdrehzahl: 2400 U/min | | | | | | | | | | |
| Frequency | Hz | 67 | 67 | 67 | 67 | 67 | 67 | 67 | 67 | 67 |
| Centrifugal force per drum | kN | 41 | 41 | 41 | 46 | 46 | 46 | 48 | 48 | 48 |
| Capacities | | | | | | | | | | |
| Water tank | l | 80 + 120 | 80 + 120 | 80 + 120 | 80 + 120 | 80 + 120 | 80 + 120 | 80 + 120 | 80 + 120 | 80 + 120 |
| Anti-adhesive | l | - | 14 | - | 14 | - | 14 | - | - | 14 |
| Hydraulic tank | l | 25 | 25 | 25 | 25 | 25 | 25 | 25 | 25 | 25 |
| Diesel fuel tank | l | 43 | 43 | 43 | 43 | 43 | 43 | 43 | 43 | 43 |

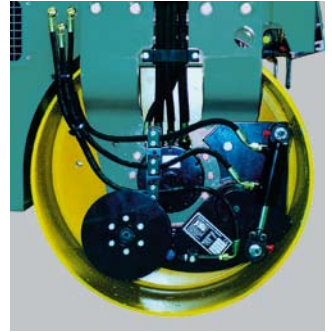
Technical data subject to changes



Folding ROPS for easy transport



2 scrapers per drum



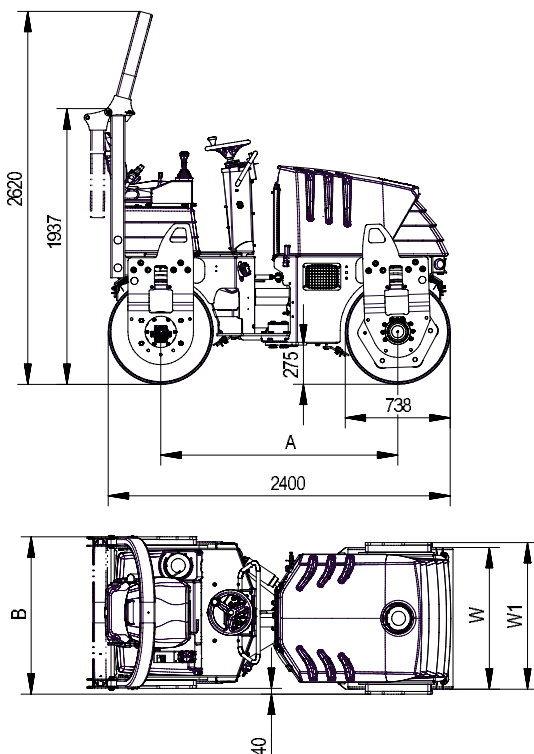
Edge-cutter

Standard

- Both drums with drive
- Double vibration
- pressurised sprinkler system
- Comfort seat with slid able seat
- 2 scrapers per drum
- 4-point lifting hooks
- diesel fuel gauge
- hour meter
- drums 40 mm off-set
- drive lever with vibration- and water switch

Options

- CE-package incl. folding ROPS
- Vibration rear incl. cut-off
- Road lightning
- Side-free AV23-2 and AV26-2
- Rotating beacon
- Reversing alarm
- Battery disconnection switch
- Electrical flow divider
- Edge cutter
- Biodegradable hydraulic oil
- Customer colour
- Lockable water tank



| Dimensions | L | B | H | W | W1 | A | V |
|-----------------------|------|------|------|------|------|------|----|
| Measures in mm | | | | | | | |
| AV 23-2 | 2400 | 1110 | 2620 | 1000 | 1040 | 1650 | 40 |
| AV 23-2 full flush | 2400 | 1110 | 2620 | 1050 | 1110 | 1650 | 60 |
| AV 26-2 / 32-2 | 2400 | 1310 | 2620 | 1200 | 1240 | 1650 | 40 |
| AV 26-2 full flush | 2400 | 1295 | 2620 | 1200 | 1250 | 1650 | 95 |
| AV 33-2 / 40-2 | 2400 | 1415 | 2620 | 1300 | 1340 | 1650 | 40 |
| AV 23-2 K | 2400 | 1065 | 2620 | 1000 | 1040 | 1700 | 0 |
| AV 23-2 K seitenfrei | 2400 | 1100 | 2620 | 1050 | 1110 | 1700 | 20 |
| AV 26-2 K / AV 32-2 K | 2400 | 1220 | 2620 | 1200 | 1240 | 1700 | 0 |
| AV 26-2 K full flush | 2400 | 1250 | 2620 | 1200 | 1250 | 1700 | 50 |
| AV 40-2 K | 2400 | 1370 | 2620 | 1300 | 1340 | 1700 | 0 |

Technical data subject to changes

**Ammann distribution
companies:**

Switzerland:

Ammann Schweiz AG
CH-4901 Langenthal
Tel +41 62 916 61 61
Fax +41 62 916 65 40

Germany:

Ammann Verdichtung GmbH
D-53773 Hennef
Tel +49 22 42 880 20
Fax +49 22 42 880 259

Rammax Maschinenbau GmbH

D-72555 Metzingen
Tel +49 71 23 922 30
Fax +49 71 23 922 350

Czech Republic:

Ammann Czech Republic a.s.
CZ-54901 Nové Město nad Metují
Tel. +420 491 476 111
Fax +420 491 470 215

France:

Ammann France SA
F-94046 Créteil/Cedex
Tel +33 1 45 17 08 88
Fax +33 1 45 17 08 90

United Kingdom:

Ammann Equipment Ltd.
GB-Warwickshire, CV37 0TY
Tel +44 1789 414 525
Fax +44 1789 414 495

Poland:

Ammann Polska sp.zo.o.
PL-02-230 Warszawa
Tel +48 22 33 77 900
Fax +48 22 33 77 929

USA:

Ammann America Inc.
US-Ponte Vedra, Florida 32082
Tel +1 904 543 1691
Fax +1 904 543 1781

**Ammann manufacturing
companies:**

Switzerland:

Ammann Schweiz AG
CH-4901 Langenthal
Tel +41 62 916 61 61
Fax +41 62 916 64 03

Germany:

Ammann Verdichtung GmbH
D-53773 Hennef
Tel +49 22 42 880 20
Fax +49 22 42 880 259

Rammax Maschinenbau GmbH

D-72555 Metzingen
Tel +49 71 23 922 30
Fax +49 71 23 922 350

Czech Republic:

Ammann Czech Republic a.s.
CZ-54901 Nové Město nad Metují
Tel. +420 491 476 111
Fax +420 491 470 215

