

A photograph of an Ammann ARX 26 Tandem Roller in operation. The machine is yellow and green, with a driver wearing a blue uniform and an orange safety vest. The machine is compact and designed for urban environments. The background shows a residential area with trees and buildings.

# ARX 26

## LIGHT TANDEM VIBRATORY ROLLER Tier 4i

### FORCE AND COVERAGE

The Ammann ARX 26 Tandem Roller delivers 47 kN of compaction force yet still works flush to curbs and other obstructions. The roller covers some ground with its 1200 mm drum width. The machine is designed to provide the operator with exceptional drum views, one factor in helping the machine work close to potential obstructions. Operator benefits include a rubber-mounted platform that limits vibration and an intuitive instrument panel. The ARX 26 also includes high quality, long-lasting components that reduce the cost of ownership over the lifetime of the machine. It is reliable, economical, safe and fuel efficient.

### COMPACTION PERFORMANCE

- Double drive
- Single or double vibration
- Optimal drum diameter
- Balanced weight front and rear
- 2 frequencies with 2 centrifugal forces

### EASY MAINTENANCE

- Reliable, long-life vibration system
- Outside drain plugs for quick fluid changes
- Bearings and central articulated joint lubricated for the machine's life
- Easy access to maintenance points, water filters and nozzles
- Long service life and extended service intervals

### EASY OPERATION

- Electronic drive lever for smooth starts and stops
- Rubber-mounted platform that limits vibration
- Intuitive, ergonomic instrument panel
- Tight turning radius

### EXCELLENT VISIBILITY

- Unobstructed view to drums
- Sliding operator's seat

### TRANSPORTABILITY

- Compact design for easy loading
- Light weight
- Foldable ROPS

### REDUCED MATERIAL PICKUP

- Multiple water nozzles
- 2 scrapers per drum

### APPLICATIONS

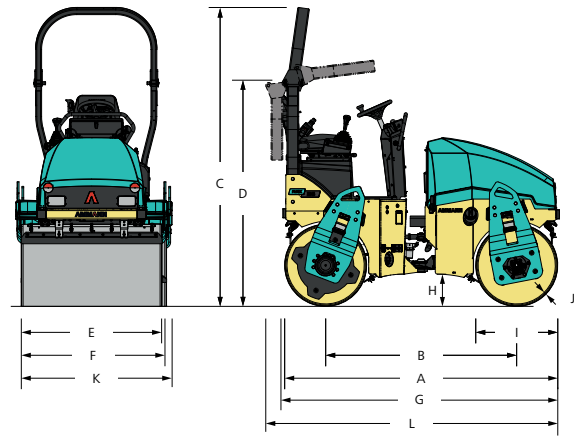
- Small and medium construction sites
- City roads
- Boardwalks
- Repair works in city centre

**AMMANN**

TECHNICAL SPECIFICATIONS  
ARX 26 LIGHT TANDEM VIBRATORY ROLLER

**DIMENSIONS**

A	MACHINE LENGTH	2330 mm (91.7 in)
B	WHEELBASE	1630 mm (64.2 in)
C	MACHINE HEIGHT	2550 mm (100.4 in)
D	MACHINE HEIGHT (FOLDED ROPS)	1930 mm (76 in)
E	DRUM WIDTH	1200 mm (47.2 in)
E	TIRE-AXLE WIDTH	-
F	MACHINE WIDTH	1247 mm (49.1 in)
G	MACHINE LENGTH	2369 mm (93.3 in)
H	GROUND CLEARANCE	275 mm (10.8 in)
I	DRUM DIAMETER	700 mm (27.6 in)
J	DRUM SHELL THICKNESS	13 mm (0.5 in)
K	MACHINE WIDTH (TOTAL)	1334 mm (52.5 in)
L	MACHINE LENGTH (FOLDED ROPS)	2506 mm (98.7 in)



**COMPACTION FORCES**

AMPLITUDE	0.42 mm (0.02 in)
FREQUENCY AT 2100 / 2400 RPM	58/66 Hz (3480/3960 VPM)
CENTRIFUGAL FORCE – MAX.	47 kN

**MISCELLANEOUS**

BATTERY / CAPACITY	12/77 V/Ah
WATER TANK	200 l (52.8 gal)
HYDRAULIC TANK	16 l (4.2 gal)
DIESEL FUEL TANK	40 l (10.6 gal)
WHEEL LOAD	-
NUMBER OF WHEELS	-
TIRE SIZE	-

**WEIGHT & OPERATING CHARACTERISTICS**

OPERATING WEIGHT CECE	2460 kg (5423.4 lb)
OPERATING WEIGHT MAX.	2650 kg (5842.2 lb)
STATIC LINEAR LOAD (FULL-FLUSH)	10.3 kg/cm (22.7 lb)
TURNING RADIUS INSIDE	2250 mm (88.6 in)
STEERING / OSCILLATING ANGLE	32/8 ±°
DRUM OFFSET	40 mm (1.57 in)

**ENGINE**

ENGINE TYPE	YANMAR 3TNV88
EMMISSION CLASS	EU Stage IIIA / EPA Tier 4i
POWER OUTPUT ISO 3046	22.5 kW / 30.6 HP
CYLINDER / LTR.	3 cyl / 1642 No./ccm
1. / 2. WORKING SPEED	2100 / 2400 rpm
TRAVEL SPEED KM/H	10 km/h (6.2 MPH)
GRADEABILITY WITH / WITHOUT VIBR.	30 % / 40 %



**STANDARD**

- Front and rear vibration and drive
- Control system with emergency stop
- Pressurised pulse interval sprinkler system
- Ammann Vibration Control
- Lateral sliding seat
- 2 working frequencies
- Hydraulic test ports

**OPTIONAL EQUIPMENT**

- CE-Kit with folding ROPS and working lights
- Road lighting
- Canopy
- Asphalt thermometer
- Reverse alarm
- Battery disconnection switch
- Central lifting hook
- ATC – Ammann Traction Control
- Arm rests
- Second drive-lever, left
- Edge-cutter incl. multi-function lever
- Bio-degradable hydraulic oil
- Drums in line
- Customer colour
- Central lifting hook
- FOPS canopy
- ACE<sup>force</sup>
- Additional working lights (ROPS mounted)
- Warning beacon
- Foldable scrapers
- Weather canopy